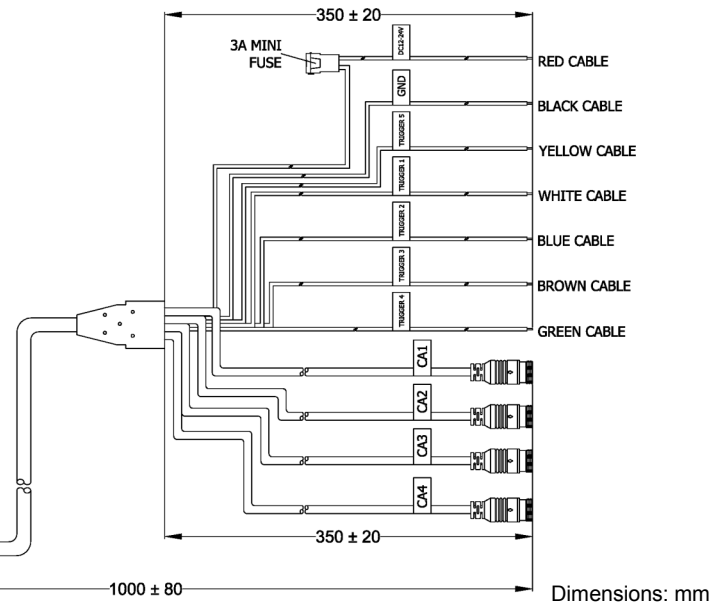
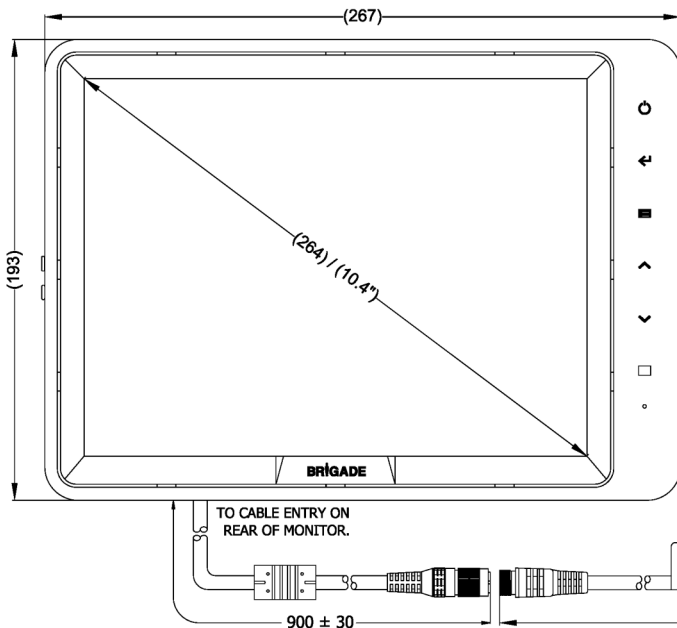


Product Specification



Brigade Model Number: **VBV-7104FM**

Brigade Part Number: **4474A**



Product Specification

Environmental Specifications:

- Shock Rating: 100 G
- Vibration Rating: 4 G (All 3 axis each 32hr random)
- Connector IP Rating: IP40
- Monitor IP Rating: IP30
- Operating Temperature: -30°C to +70°C
- Storage Temperature: -40°C to +85°C

Approved Standards:

- CE - (EN 61000-6-2:2005 + AC:2005) / (EN 61000-6-3:2007 + A1:2011 + AC:2012)
- 'E' Mark - (ECE Regulation 10 Rev 05)
- FCC - (47 CFR Part 15 Subpart B)
- RoHS
- WEEE

Technical Specifications:

- Operating Voltage: 12 / 24 Vdc
- Current Consumption: ≤ 2.8A @ 11Vdc
- Power Consumption: ≤ 31W @ 11Vdc
- TV System: PAL / NTSC
- Display Size: 10.4" (diagonal)
- Resolution: 1024 x (RGB) x 768
- Contrast Ratio: 500:1
- Brightness: 400 cd/m²
- Mirror/Normal via OSD Menu: All Channels
- Number of Video Inputs: 4 x 4 pin VBV connectors
- Number of Triggers Inputs: 5
- Display Viewing Angle: 60(T), 60(B), 70(L), 70(R)
- Shutter camera support: None
- Tilt camera support: None
- Speaker Rating: 8Ω @ 1 Watt
- Video Input Impedance: 1.0 Vp-p / 75Ω
- Monitor Weight: Approx. 1050 Grams
- Monitor Dimensions: (Without Sunshield)
267 mm (W) x 30 mm (D) x 193 mm (H)

Technical Specifications Continued...

- Power / Trigger Cable Thickness: 18 AWG
- Cable Length: - Monitor Pigtail: 900 ± 30mm
- Cable Adapter: 1000 ± 80mm
- Casing Material: ABS Plastic
- Finish / Colour: Soft Touch Paint / Black

Features:

- Quad view monitor with multiple views.
- Configurable view options with double / triple / quad / 'H' & Picture In Picture support.
- Scalable and Moveable Picture In Picture options.
- Configurable trigger input functions.
- High Quality Digital LCD with LED backlight.
- Low Reflection TFT LCD (Anti Glare).
- Integrated light sensor for backlight dimming.
- Illuminated touch keypad.
- Keypad disable/lock Via OSD Menu.
- Integrated large speaker.
- 4 x M5x6 VESA standard (75x75mm) mounting.
- Automatic detection of PAL or NTSC Signal.
- 10 x On Screen Display (OSD) languages: (English, French, German, Spanish, Turkish Italian, Dutch, Portuguese, Russian, Polish)
- Configurable trigger off delay (0-20 sec.)
- Configurable Auto Scan delay (0-20 sec.)
- 2 x variations of electronic on screen markers.
- Compatible with Remote Control VBV-7X0FM-RC.

Package Contents:

- 1x VBV-7104FM-M - Monitor
- 1x VBV-7XXFM-CA - Cable Adapter
- 1x VBV-7104FM-SS - Sunshield
- 1x VBV-7104FM-IG - Installation Guide
- 1x BMM-015 - Bracket
- 1x BMM-023 - 'U' Bracket
- 2x VBV-7104FM-PL1 - Big Silicon Plug
- 2x VBV-7104FM-PL2 - Small Silicon Plug